



KASSAO
Creating Quality Life

2026



Bath Book 2026

About

KASSCAO specializes in the research and development and production of high-quality stainless steel faucets. With their simple and stylish design and stable and reliable performance, their products are widely used in home kitchens and bathrooms. OEM/ODM customization services are available to meet the individual needs of different customers.

Development Experience

Since 2008, KASSCAO has been committed to high-quality stainless steel bathroom and kitchen faucets, and has established an effective R&D system, production management, quality control standards and customer service procedures.

Why Choose Solid Aisi 316L Stainless Steel?

Choosing solid stainless steel AISI 316 for faucets represents a dual upgrade in material grade, structural strength, and long-term durability. It offers stronger resistance to chloride ion corrosion and superior resistance to pitting and crevice corrosion, making it particularly suitable for coastal, high-salt, and high-humidity environments. It is also more stable in hard water environments. Therefore, AISI 316 is often referred to as "ocean-grade stainless steel."

Using solid 316 stainless steel bars precision machined by CNC, rather than thin-walled welding or die-casting, means: a more stable structure, less prone to cracking or deformation, no internal weld seam risks, stronger pressure resistance, and longer service life.

Sustainable development advantages: 100% recyclable, ultra-long service life, reduced replacement frequency, no electroplating peeling pollution, and more competitive under the ESG and green building trends.

With its premium appearance and high-end positioning, 316 stainless steel can be finished with brushed, sandblasted, and mirror finishes, as well as PVD vacuum plating (black, gold, gunmetal, etc.). It features a modern minimalist and industrial design, and its solid structure provides a more substantial feel and a sense of high-end quality.



KB410

Dual-hole wall-mounted bathtub faucet.



FEATURES

Dual-hole wall-mounted bathtub faucet.

Curved spout with a built-in concealed aerator, paired with a perfectly proportioned 35mm diameter mixer tap.

Made with marine-grade AISI 316L solid stainless steel finish, hand-polished by experienced artisans, available in matte or polished finishes.

All finishes use the same embedded fittings.

The finish is also available with PVD coatings, including carbon black, zirconium gold, and rose gold, all applied over matte stainless steel.

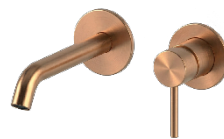
Decorative cover diameter:74mm



stainless steel



zirconium gold



rose gold



carbon black



KB411

Wall-mounted mixer.



75mm

FEATURES

Wall-mounted mixer.

Marine-grade AISI 316L solid stainless steel finish, hand-polished by experienced artisans, available in matte or polished finishes.

The finish is available with a PVD coating in Carbon Black, Zirconium Gold, and Rose Gold, all over matte stainless steel.

Decorative cover diameter:74mm



stainless steel



zirconium gold



rose gold



carbon black



KB510

Washbasin mixer, S model.



FEATURES

This washbasin faucet features an arc-shaped spout and a built-in aerator.

Made of solid stainless steel, it is available in matte and polished finishes.

We also offer a variety of PVD coating finishes: Carbon Black, Zirconium Gold, Rose Gold, and Full Matte Stainless Steel.

The product is hand-polished before assembly to ensure all edges are flawless.

Made of marine-grade AISI 316L stainless steel, suitable for both indoor and outdoor use.

100% lead-free.

Base diameter: 54mm



stainless steel



zirconium gold



rose gold



carbon black



KB511

Washbasin mixer, M model.



FEATURES

This washbasin faucet features an arc-shaped spout and a built-in aerator.

Made of solid stainless steel, it is available in matte and polished finishes.

We also offer a variety of PVD coating finishes: Carbon Black, Zirconium Gold, Rose Gold, and Full Matte Stainless Steel.

The product is hand-polished before assembly to ensure all edges are flawless.

Made of marine-grade AISI 316L stainless steel, suitable for both indoor and outdoor use.

100% lead-free.

Base diameter: 54mm



stainless steel



zirconium gold



rose gold



carbon black



KB512

Washbasin mixer, L model.



FEATURES

This washbasin faucet features an arc-shaped spout and a built-in aerator.

Made of solid stainless steel, it is available in matte and polished finishes.

We also offer a variety of PVD coating finishes: Carbon Black, Zirconium Gold, Rose Gold, and Full Matte Stainless Steel.

The product is hand-polished before assembly to ensure all edges are flawless.

Made of marine-grade AISI 316L stainless steel, suitable for both indoor and outdoor use.

100% lead-free.

Base diameter: 54mm



stainless steel



zirconium gold



rose gold



carbon black



KB620

Washbasin mixer.



FEATURES

This washbasin faucet features a long, flat spout and a built-in aerator.

Made of solid stainless steel, it is available in matte and polished finishes.

We also offer a variety of PVD coating finishes: Carbon Black, Zirconium Gold, Rose Gold, and Full Matte Stainless Steel.

The product is hand-polished before assembly to ensure all edges are flawless.

Made of marine-grade AISI 316L stainless steel, suitable for both indoor and outdoor use.

100% lead-free.

Base diameter: 54mm



stainless steel



zirconium gold



rose gold



carbon black



KB710

Single-hole countertop cold water faucet.



FEATURES

Single-hole countertop cold water faucet.

Marine-grade solid stainless steel AISI316L.

Hand-polished for a matte or glossy finish.

Optional PVD-coated finishes are available, encompassing a variety of styles including Carbon Black, Zircon Gold, and Matte Rose Gold stainless steel.

Unique design concept: the mixer control is located at the top of the faucet.

Base diameter: 44mm



stainless steel



zirconium gold



rose gold



carbon black



KB712

Single-hole countertop cold water faucet.



FEATURES

Single-hole countertop cold water faucet.

This single-hole faucet features a curved spout and a built-in aerator.

Marine-grade solid stainless steel AISI316L.

Hand-polished for a matte or glossy finish.

Optional PVD-coated finishes are available, encompassing a variety of styles including Carbon Black, Zircon Gold, and Matte Rose Gold stainless steel.

The product undergoes manual polishing prior to assembly, ensuring that all edges exhibit a seamless, flawlessly smooth finish.

Base diameter: 48mm



stainless steel



zirconium gold



rose gold



carbon black



KB714

Wall-Mounted Single-Hole Cold Water Faucet.



FEATURES

Wall-Mounted Single-Hole Cold Water Faucet.

Marine-grade solid stainless steel AISI316L.

Hand-polished for a matte or glossy finish.

Optional PVD-coated finishes are available, encompassing a variety of styles including Carbon Black, Zircon Gold, and Matte Rose Gold stainless steel.

Unique design concept: the mixer control is located at the top of the faucet.

Decorative cover diameter: 74mm



stainless steel



zirconium gold



rose gold



carbon black



KB720

Double-hole countertop faucet.



FEATURES

Double-hole countertop faucet with a tall, round spout.

Hand-polished for a refined matte or high-gloss finish.

PVD coating options are available, covering Carbon Black, Zirconium Gold, and Rose Gold.

Made of marine-grade solid stainless steel AISI 316L, suitable for both indoor and outdoor use.

Threaded stainless steel connecting hose allows for flexible adjustment of the spout and faucet position.

Base diameter: 54mm



stainless steel



zirconium gold



rose gold



carbon black



KB721

Single lever mixer with hand shower.



FEATURES

Single-handle faucet with handheld shower.

Includes a countertop-mounted handheld shower holder.

Hand-polished finish, available in matte or polished options.

Available in three PVD coating options: Carbon Black, Zirconium Gold, and Matte Rose Gold Stainless Steel.

Freestanding faucet design for flexible installation.

Manufactured from AISI 316L marine-grade stainless steel.

Base diameter: 54mm



stainless steel



zirconium gold



rose gold



carbon black



KB723

Deck-Mounted Single-Hole Mixer Faucet.



FEATURES

Single-hole deck-mounted mixer faucet featuring a tall, rounded spout.

Hand-polished to achieve a refined matte or high-gloss finish.

Available with optional PVD coatings: Carbon Black, Zirconium Gold, and Rose Gold.

The handle position is adjustable and can be positioned at the front, right, or left.

Crafted from solid AISI 316L marine-grade stainless steel, suitable for both indoor and outdoor environments.

Features a swivel spout.

Includes an integrated aerator with a grooved design for easy removal and cleaning.

Base diameter: 54mm



stainless steel



zirconium gold



rose gold



carbon black



KB726

Deck-Mounted Single-Hole Mixer Faucet.



FEATURES

Single-hole deck-mounted mixer faucet featuring a tall, rounded spout.

Hand-polished to achieve a refined matte or high-gloss finish.

Available with optional PVD coatings: Carbon Black, Zirconium Gold, and Rose Gold.

The handle position is adjustable and can be positioned at the front, right, or left.

Crafted from solid AISI 316L marine-grade stainless steel, suitable for both indoor and outdoor environments.

Features a swivel spout.

Includes an integrated aerator with a grooved design for easy removal and cleaning.

Base diameter: 54mm



stainless steel



zirconium gold



rose gold



carbon black



KB727

Deck-Mounted Single-Hole Mixer Faucet.



FEATURES

Single-hole deck-mounted mixer faucet featuring a tall, rounded spout.
Hand-polished to achieve a refined matte or high-gloss finish.
Available with optional PVD coatings: Carbon Black, Zirconium Gold, and Rose Gold.
The handle position is adjustable and can be positioned at the front, right, or left.
Crafted from solid AISI 316L marine-grade stainless steel, suitable for both indoor and outdoor environments.
Features a swivel spout.
Includes an integrated aerator with a grooved design for easy removal and cleaning.

Base diameter: 54mm



stainless steel



zirconium gold



rose gold



carbon black



KB730

Single-Hole Deck-Mounted Mixer Tap.



FEATURES

A premium AISI 316L solid stainless steel single-hole mixer faucet.

Hand-polished to perfection, it features an impeccable matte or high-gloss finish.

Available with a variety of PVD coating options, including Carbon Black, Zirconium Gold, and Matte Rose Gold.

Features a unique faucet head control design.

This faucet comes equipped with a fixed base; a swivel version is also available upon request.

Through high-precision machining, ultra-tight tolerances, and flawless assembly, this product is guaranteed to maintain its exceptional quality for a lifetime.

Base diameter: 49mm



stainless steel



zirconium gold



rose gold



carbon black



KB731

Single-Hole Deck-Mounted Mixer Tap.



FEATURES

A premium AISI 316L solid stainless steel single-hole mixer faucet.

Hand-polished to perfection, it features an impeccable matte or high-gloss finish.

Available with a variety of PVD coating options, including Carbon Black, Zirconium Gold, and Matte Rose Gold.

Features a unique faucet head control design.

This faucet comes equipped with a fixed base; a swivel version is also available upon request.

Through high-precision machining, ultra-tight tolerances, and flawless assembly, this product is guaranteed to maintain its exceptional quality for a lifetime.

Base diameter: 49mm



stainless steel



zirconium gold



rose gold



carbon black



KB735

Single hole wall mounted mixer.



FEATURES

Wall-Mounted Single-Handle Mixer Tap.

Constructed from marine-grade solid stainless steel (AISI 316L).

Hand-polished finish, available in two options: matte or polished.

Optional PVD coating available in a variety of styles, including Carbon Black, Zirconium Gold, and Matte Rose Gold.

Unique Design Concept: The mixing control handle is positioned at the top of the faucet.

Decorative cover diameter: 74mm



stainless steel



zirconium gold



rose gold

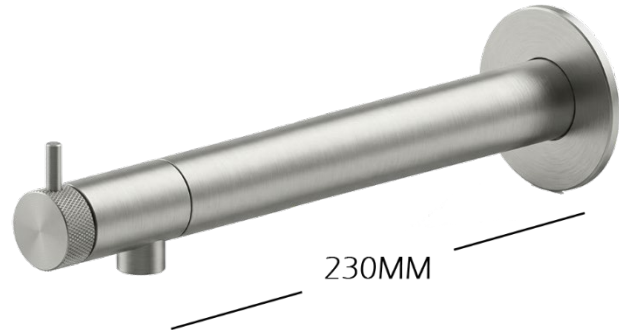


carbon black



KB736

Single hole wall mounted mixer.



FEATURES

Wall-Mounted Single-Handle Mixer Tap.

Constructed from marine-grade solid stainless steel (AISI 316L).

Hand-polished finish, available in two options: matte or polished.

Optional PVD coating available in a variety of styles, including Carbon Black, Zirconium Gold, and Matte Rose Gold.

Unique Design Concept: The mixing control handle is positioned at the top of the faucet.

Decorative cover diameter: 74mm



stainless steel



zirconium gold



rose gold



carbon black



KB810

Floor mounted bathtub filler.

FEATURES

Floor-standing bathtub faucet with handheld shower.
Constructed from marine-grade AISI 316L stainless steel.
Hand-polished finish; available in matte or mirror-polished options.
Optional PVD-coated finishes: Carbon Black, Zirconium Gold, and Rose Gold.
Floor-standing stainless steel base (sold separately).
360° swivel spout.
Round spout.



Base diameter: 99mm



stainless steel



zirconium gold



rose gold



carbon black



KB812

Four-hole faucet.



FEATURES

Wide-spout, four-hole faucet featuring precision-machined handles.

Includes a spout equipped with an integrated holder for a handheld shower.

Dual-flow control: Allows for independent adjustment of the water flow rate for both the handheld shower and the countertop spout.

Typically designed for deck-mounted installation on bathtubs.

Hand-polished finish; available in a choice of matte or polished options.

Also available with PVD coating technology, offering a selection of Matte Carbon Black, Zircon Gold, and Rose Gold finishes.

Constructed from marine-grade AISI 316L stainless steel, making it ideally suited for both indoor and outdoor installation environments.

Base diameter: 54mm



stainless steel



zirconium gold



rose gold



carbon black



KB813

Three-hole Faucet.



FEATURES

Wide-spout, three-hole faucet featuring precision-machined handles.

Includes a spout equipped with an integrated holder for a handheld shower.

Dual-flow control: Allows for independent adjustment of the water flow rate for both the handheld shower and the countertop spout.

Typically designed for concealed countertop installation on bathtubs.

Hand-polished finish; available in a choice of matte or polished options.

Also available with PVD coating technology, offering a selection of Matte Carbon Black, Zircon Gold, and Rose Gold finishes.

Constructed from marine-grade AISI 316L stainless steel, making it ideally suited for both indoor and outdoor installation environments.

Base diameter: 54mm



stainless steel



zirconium gold



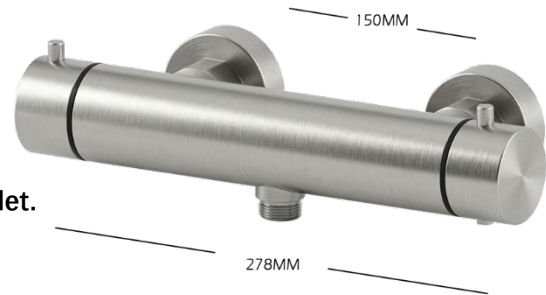
rose gold



carbon black



KB850



External thermostatic shower valve, bottom outlet.

FEATURES

Thermostatic shower valve with water flow control.

Single water outlet at the bottom.

KASSCAO's unique Cool Touche anti-scalding design effectively prevents burns.

Hand-polished, matte or glossy finish. Surface is not chrome-plated or electroplated.

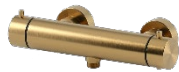
Medical-grade AISI 316L stainless steel.

Carbon Black, Zircon Gold, and Rose Gold PVD coatings (applied over a matte stainless steel substrate) are also available.

Decorative cover diameter: 59mm



stainless steel



zirconium gold



rose gold



carbon black



KB851

External thermostatic shower valve with dual water outlets at the top and bottom.



FEATURES

Thermostatic shower valve with water flow control.

It has two water outlets, one at the top and one at the bottom, which can be switched freely and used with an external shower rod.

KASSCAO's unique Cool Touche anti-scalding design effectively prevents burns.

Hand-polished, matte or glossy finish. Surface is not chrome-plated or electroplated.

Medical-grade AISI 316L stainless steel.

Carbon Black, Zircon Gold, and Rose Gold PVD coatings (applied over a matte stainless steel substrate) are also available.

Decorative cover diameter: 59mm



stainless steel



zirconium gold



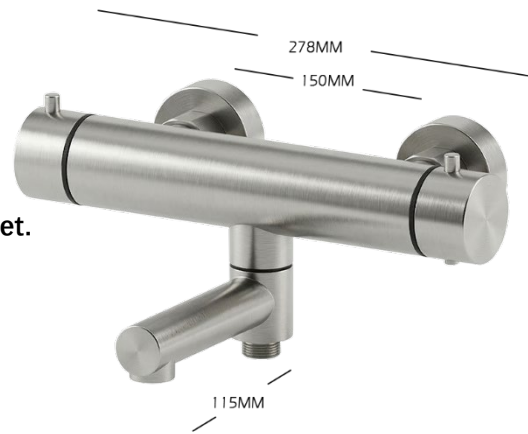
rose gold



carbon black



KB852



External thermostatic shower valve, bottom outlet.

FEATURES

Thermostatic shower valve with water flow control.

The bottom water outlet allows for free switching between two-way water flow.

KASSCAO's unique Cool Touche anti-scalding design effectively prevents burns.

Hand-polished, matte or glossy finish. Surface is not chrome-plated or electroplated.

Medical-grade AISI 316L stainless steel.

Carbon Black, Zircon Gold, and Rose Gold PVD coatings (applied over a matte stainless steel substrate) are also available.

Decorative cover diameter: 59mm



stainless steel



zirconium gold



rose gold

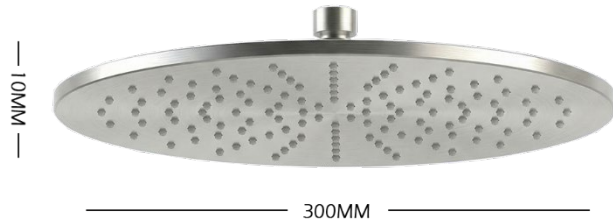


carbon black



KB910

300MM Rain effect shower head.



FEATURES

Round rain shower head.

Stainless steel – available matte or polished.

Available PVD Special Finishes: Carbon Black, Zirconium Gold, and Rose Gold (all based on a brushed stainless steel substrate).

Easy to clean from limescale formations.

Various sizes are available, including 150mm, 200mm, and 250mm.

Decorative cover diameter: 74mm



stainless steel



zirconium gold



rose gold

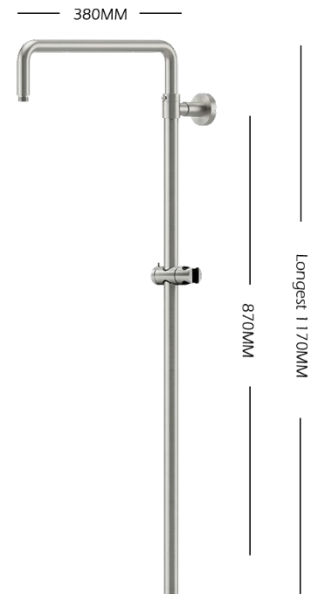


carbon black



KBA01

External shower pipe sliding rail.



FEATURES

External sliding shower rod with handheld shower head bracket.

Available in matte or polished stainless steel.

PVD-coated finishes are also available: Carbon Black, Zircon Gold, and Rose Gold.

Made of marine-grade AISI 316L stainless steel.

Height and tilt adjustable.

Decorative cover diameter: 59mm



stainless steel



zirconium gold



rose gold



carbon black



KBA02

Sliding rail.



FEATURES

Sliding shower rail with handheld shower head holder.

Available in matte or polished stainless steel.

PVD-coated finishes are also available: Carbon Black, Zirconium Gold, and Rose Gold.

Made of marine-grade AISI 316L stainless steel.

Height and tilt adjustable.

support diameter: 34mm



stainless steel



zirconium gold



rose gold



carbon black



KBA03

Bathtub drain.



FEATURES

Wall-mounted bathtub faucet.

Integrated aerator for easy removal and cleaning.

Marine-grade stainless steel AISI316.

Hand-polished, matte or bright steel.

PVD coatings are also available in zirconium gold, rose gold, and carbon black (brushed stainless steel).

Resistance-free aerator for high water flow.

Decorative cover diameter: 74mm



stainless steel



zirconium gold



rose gold



carbon black



KBA10

Angle valve.



FEATURES

Made of robust AISI 316L stainless steel

Suitable for both indoor and outdoor use.

It features a removable, washable filter within the valve body.

PVD-coated finishes are also available: Carbon Black, Zircon Gold, and Rose Gold.

Decorative cover diameter: 74mm



stainless steel



zirconium gold



rose gold

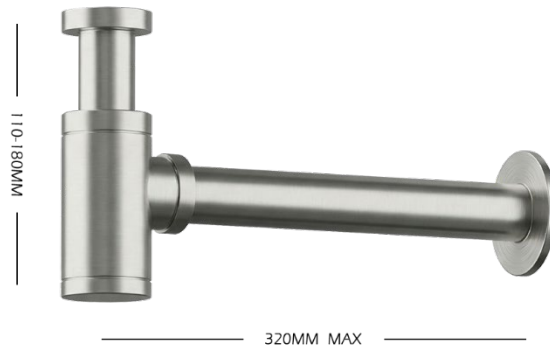


carbon black



KBA20

Siphon for basin.



FEATURES

1 1/4 inch siphon tube

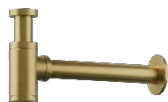
PVD-coated finishes are also available: Carbon Black, Zircon Gold, and Rose Gold.

The bottom opens for easy cleaning or removal of objects that have fallen into the drain.

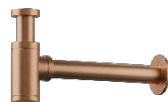
Decorative cover diameter: 74mm



stainless steel



zirconium gold



rose gold



carbon black



KBA30

Pop-up drain.



FEATURES

AISI 316L Stainless Steel Pop-up Drain.

Available in a variety of options, including matte stainless steel, polished stainless steel, and matte stainless steel paired with Carbon Black, Zircon Gold, and Rose Gold finishes.

Faceplate diameter: 74mm



stainless steel



zirconium gold



rose gold



carbon black



KBA31

Open Drain Pipe.



FEATURES

AISI 316L Stainless Steel Open Drain Pipe.

Available in a variety of options, including matte stainless steel, polished stainless steel, and matte stainless steel paired with Carbon Black, Zircon Gold, and Rose Gold finishes.

Faceplate diameter: 74mm



stainless steel



zirconium gold



rose gold



carbon black



KBA40

Wall-Mounted Handheld Shower Holder.



FEATURES

Fixed hand shower holder.

Solid stainless steel AISI316L.

Available matte or polished.

PVD-coated finishes are also available: Carbon Black, Zircon Gold, and Rose Gold.

Decorative cover diameter: 34mm



stainless steel



zirconium gold



rose gold



carbon black



KBA41

Wall-mounted water outlet.



FEATURES

Wall-mounted water outlet.

Made of AISI 316L marine-grade stainless steel.

Hand-polished for a matte or glossy finish. This surface treatment is more durable than chrome plating or electroplating and is completely environmentally friendly: no polluting waste is generated during the process.

PVD-coated finishes are also available: Carbon Black, Zircon Gold, and Rose Gold.

Wall mount ring diameter: 75 mm.

100% recyclable stainless steel and 100% lead-free.

Decorative cover diameter: 74mm



stainless steel



zirconium gold



rose gold



carbon black



KBA43

Hand shower holder.



FEATURES

Wall-mounted handheld shower head holder.

The shower head holder is 360° adjustable.

Medical-grade solid stainless steel AISI316L.

Available with matte or polished finishes.

PVD-coated finishes are also available: Carbon Black, Zircon Gold, and Rose Gold.

Decorative cover diameter: 74mm



stainless steel



zirconium gold



rose gold



carbon black



KBA44

Water outlet with support.



FEATURES

Wall-mounted water outlet and handheld shower head holder.

The shower head holder is 360° adjustable.

Medical-grade solid stainless steel AISI316L.

Available with matte or polished finishes.

PVD-coated finishes are also available: Carbon Black, Zircon Gold, and Rose Gold.

Decorative cover diameter: 74mm



stainless steel



zirconium gold



rose gold



carbon black



KBA60

20cm shower arm.



FEATURES

Top-mounted shower arm, without swivel function.

Available in premium AISI 316L stainless steel with matte and polished finishes.

Custom lengths available.

PVD-coated finishes are also available: Carbon Black, Zircon Gold, and Rose Gold.

Decorative cover diameter: 74mm



stainless steel



zirconium gold



rose gold

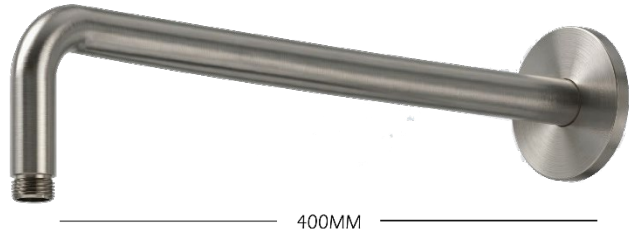


carbon black



KBA61

40cm Wall-mounted shower arm.



FEATURES

Wall-mounted shower arm, non-swiveling.

Equipped with a device that maintains a 90-degree angle relative to the wall.

Available in premium AISI 316L stainless steel with matte and polished finishes.

Custom lengths available.

PVD-coated finishes are also available: Carbon Black, Zircon Gold, and Rose Gold.

Decorative cover diameter: 74mm



stainless steel



zirconium gold



rose gold



carbon black



Kitchen Book 2026



KK110

Dual-nozzle handheld faucet.



FEATURES

The KK110 faucet and its high-quality frosted silicone tubing will elevate the overall design style of a sophisticated kitchen.

High-quality frosted silicone tubing is available in black, white, red, green, and orange.

The dual spray outlet is very convenient to use and to insert in its holder. When in position it can freely turn to direct the water flow like a regular spout.

The hand shower has great reach, which makes it ideal for large sinks and to easily fill up large pots.

Available in matte stainless steel, polished stainless steel, and carbon black, zirconium gold, and rose gold finishes, all made using the PVD process.

Impressive, sturdy and beautiful this tap will be the center of attention, the final touch to complete the look of your heavenly kitchen.

Made of AISI 316L marine grade stainless steel.

Base diameter: 54mm



stainless steel



zirconium gold



rose gold



carbon black



KK111

Double-hole faucet with rotating spout and independent mixer.



FEATURES

Hand-polished by experienced artisans, it presents a matte or polished stainless steel texture.

PVD coatings are available, including carbon black, zirconium gold, and rose gold.

Made of medical-grade AISI316L stainless steel, suitable for both indoor and outdoor installation.

The spout can rotate 360°.

The independent mixing valve can be freely installed on the left or right side of the water outlet, or on the side of the water tank.

Environmentally friendly: The production process generates no polluting waste, and the stainless steel is 100% recyclable.

Healthy: The stainless steel is 100% lead-free.

Base diameter: 54mm



stainless steel



zirconium gold



rose gold



carbon black



KK112

Double-hole faucet with rotating spout and independent mixer.



FEATURES

Hand-polished by experienced artisans, it presents a matte or polished stainless steel texture.

PVD coatings are available, including carbon black, zirconium gold, and rose gold.

Made of medical-grade AISI316L stainless steel, suitable for both indoor and outdoor installation.

The spout can rotate 360°.

The independent mixing valve can be freely installed on the left or right side of the water outlet, or on the side of the water tank.

Environmentally friendly: The production process generates no polluting waste, and the stainless steel is 100% recyclable.

Healthy: The stainless steel is 100% lead-free.

Base diameter: 54mm



stainless steel



zirconium gold



rose gold



carbon black



KK113

Double-hole faucet with rotating spout and independent mixer.



FEATURES

Hand-polished by experienced artisans, it presents a matte or polished stainless steel texture. PVD coatings are available, including carbon black, zirconium gold, and rose gold. Made of medical-grade AISI316L stainless steel, suitable for both indoor and outdoor installation. The spout can rotate 360°. The independent mixing valve can be freely installed on the left or right side of the water outlet, or on the side of the water tank. Environmentally friendly: The production process generates no polluting waste, and the stainless steel is 100% recyclable. Healthy: The stainless steel is 100% lead-free.

Base diameter: 54mm



stainless steel



zirconium gold



rose gold



carbon black



KK312

Single-hole rotary faucet.



FEATURES

Single-hole rotary faucet.

Available in matte or polished finishes. Made of AISI 316L stainless steel.

PVD coatings are available, including carbon black, zirconium gold, and rose gold.

Made of marine-grade solid AISI 316L stainless steel, suitable for indoor and outdoor installation.

The spout can rotate 360° freely.

The handle can be installed on the right side or front.

Base diameter: 54mm



stainless steel



zirconium gold



rose gold



carbon black



KK313

Single-hole rotary faucet.



FEATURES

Single-hole rotary faucet.

Available in matte or polished finishes. Made of AISI 316L stainless steel.

PVD coatings are available, including carbon black, zirconium gold, and rose gold.

Made of marine-grade solid AISI 316L stainless steel, suitable for indoor and outdoor installation.

The spout can rotate 360° freely.

The handle can be installed on the right side or front.

Base diameter: 54mm



stainless steel



zirconium gold



rose gold



carbon black



KK320

Single-hole faucet with pull-out dual-nozzle handheld shower head.



FEATURES

Solid stainless steel faucet with pull-out nozzle.

Made of medical-grade AISI 316L stainless steel—AISI 316L has excellent oxidation resistance, making it an ideal choice for both indoor and outdoor installations.

It uses a cold-opening valve core, and the control lever rotates only forward, making it ideal for installation environments with limited space.

Hand-polished matte or mirror-polished stainless steel, as well as PVD black, zirconium gold, and rose gold finishes on matte stainless steel bases.

Base diameter: 54mm



stainless steel



zirconium gold



rose gold



carbon black



KK321

Single-hole faucet with pull-out dual-nozzle handheld shower head.



FEATURES

Solid stainless steel faucet with pull-out nozzle.

Made of medical-grade AISI 316L stainless steel—AISI 316L has excellent oxidation resistance, making it an ideal choice for both indoor and outdoor installations.

It uses a cold-opening valve core, and the control lever rotates only forward, making it ideal for installation environments with limited space.

Hand-polished matte or mirror-polished stainless steel, as well as PVD black, zirconium gold, and rose gold finishes on matte stainless steel bases.

Base diameter: 54mm



stainless steel



zirconium gold



rose gold



carbon black



KK322

Single-hole faucet with pull-out dual-nozzle handheld shower head.



FEATURES

Solid stainless steel faucet with pull-out nozzle.

Made of medical-grade AISI 316L stainless steel—AISI 316L has excellent oxidation resistance, making it an ideal choice for both indoor and outdoor installations.

It uses a cold-opening valve core, and the control lever rotates only forward, making it ideal for installation environments with limited space.

Hand-polished matte or mirror-polished stainless steel, as well as PVD black, zirconium gold, and rose gold finishes on matte stainless steel bases.

Base diameter: 54mm



stainless steel



zirconium gold



rose gold

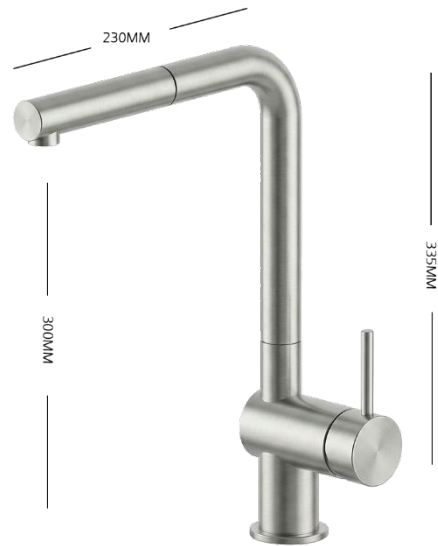


carbon black



KK323

Single-hole faucet with pull-out hand shower head.



FEATURES

The iconic pull-out kitchen faucet.

Surgical AISI 316L stainless steel. AISI316L is marine grade and it is ideal both for indoor and outdoor installation.

The concealed screw design makes this faucet look beautiful and unique from all angles, and the handle can be installed on the front, right side, or left side.

Available in matte or polished stainless steel, with a PVD coating exclusive to matte stainless steel: black, zirconium gold, and rose gold.

The spout freely turns 360°.

High precision machine tooling guarantees a perfect and seamless assembly.

100% lead free : the ideal choice for your drinking water, for rinsing and washing.

Base diameter: 54mm



stainless steel



zirconium gold



rose gold



carbon black



KK324

Single-hole faucet with pull-out hand shower head.



FEATURES

The iconic pull-out kitchen faucet.

Surgical AISI 316L stainless steel. AISI316L is marine grade and it is ideal both for indoor and outdoor installation.

The concealed screw design makes this faucet look beautiful and unique from all angles, and the handle can be installed on the front, right side, or left side.

Available in matte or polished stainless steel, with a PVD coating exclusive to matte stainless steel: black, zirconium gold, and rose gold.

The spout freely turns 360°.

High precision machine tooling guarantees a perfect and seamless assembly.

100% lead free : the ideal choice for your drinking water, for rinsing and washing.

Base diameter: 54mm



stainless steel



zirconium gold



rose gold



carbon black



KK720

Mixer with deck mounted spray.



FEATURES

Marine Grade Stainless steel AISI316L

100% lead free – fully recyclable

The separate mixer can be freely positioned to the right or left of the hand spray, or also on the side of the sink

Areas of application: Indoor & outdoor

Hand polished to matte or polished stainless steel by expert artisans.

Three other PVD coatings are available, all applied to brushed stainless steel: black, zirconium gold, and rose gold.

Base diameter: 54mm



stainless steel



zirconium gold



rose gold



carbon black



Kasscaotaps.com

Manufacturers have the right to modify products without forwarding them.

kasscaotaps.com